

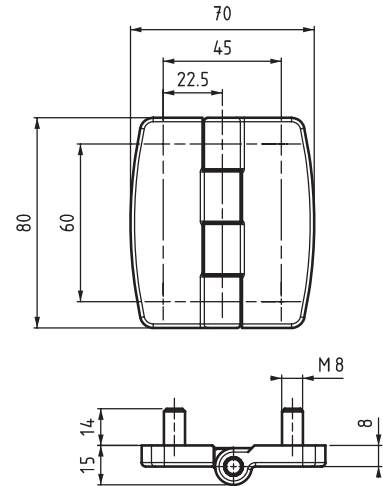
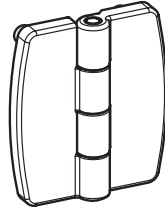
FLAT HINGES

LEAF HINGE

1399



LH/RH



V :1

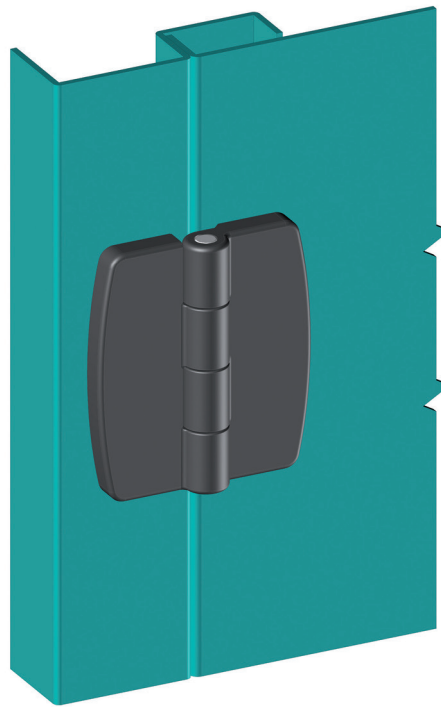
- Generally used for plain/flush-mounted, isolated, heavy doors
- Stud versions fitted with M8 x 14 mm threaded stud
- Stainless steel (AISI 304) hinge pin.
- Available in three sizes, stud fixing:
 - 80 mm x 70 mm
 - 80 mm x 110 mm
 - 80 mm x 150 mm

APPLICATIONS

Generators, machinery covers, electric panels

MATERIAL

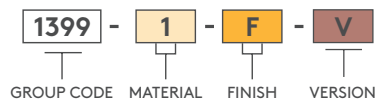
BODY: Zamak DIN-EN 1774-ZnAl4Cu1
 PIN: Stainless Steel



Hinge Rotation Angle



PRODUCT CODE



MATERIAL		FINISH	
	M		F
Zamak	1	Chrome	1
		Black coated	2

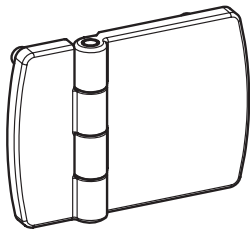


1399

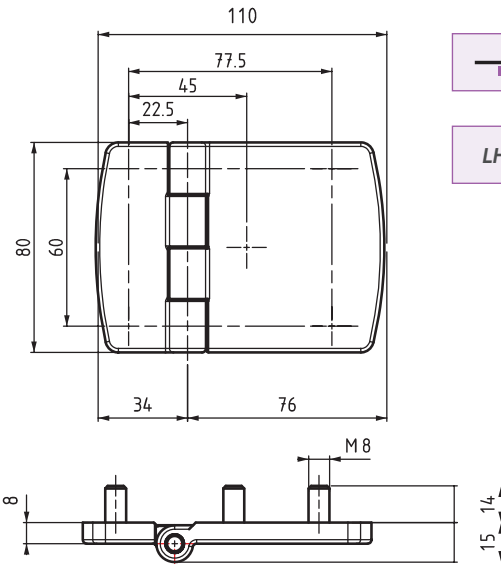
LEAF HINGE



LH/RH



V : 2



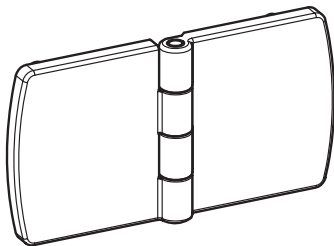
- Generally used for plain/flush-mounted, isolated, heavy doors
- Stud versions fitted with M8 x 14 mm threaded stud
- Stainless steel (AISI 304) hinge pin
- Available in three sizes, stud fixing:
 - 80 mm x 70 mm
 - 80 mm x 110 mm
 - 80 mm x 150 mm

APPLICATIONS

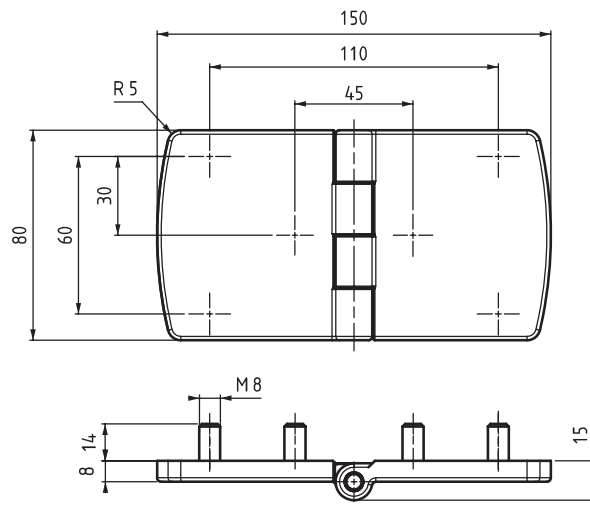
Generators, machinery covers, electric panels

MATERIAL

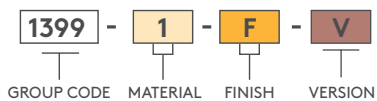
BODY: Zamak DIN-EN 1774-ZnAl4Cu1
PIN: Stainless Steel



V : 3



PRODUCT CODE



MATERIAL	M	FINISH	F
Zamak	1	Chrome	1
		Black coated	2

Hinge Rotation Angle

